

24AF570L790 27-Ton (2005)
General Assembly

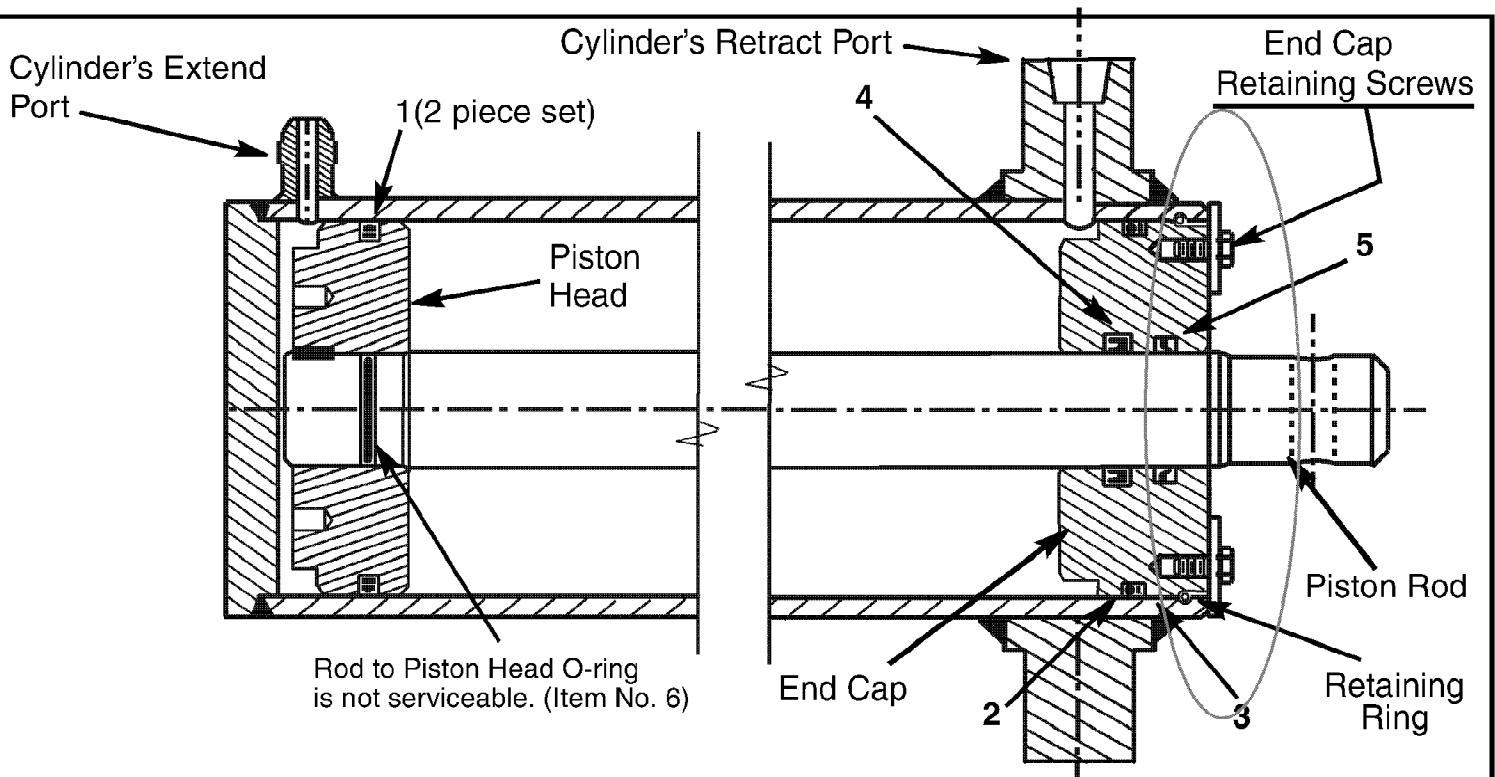
Page 2 of 7

Ref #	Part Number	Qty	S/P/F	Description
1	918-0769A	1	/P	Hydraulic Cylinder 718-0769A
1	953-05607	1	/P	Kit Seal 4.5" for XINGHUI cylinder 718-0769A See Service Kit 753-05607
1	953-05608	1	/P	Kit Seal 4.5" for ENERGY cylinder 718-0769A See Service Kit 753-05608
2	727-0634	1		Hydraulic Tube
3	710-1018	1	/P	Hex Cap Screw 1/2-20 x 2.75
4	737-0192	1	/P	90° Solid Adapter
5	736-0371	1	/P	Flat Washer, .434 x .880 x .062
6	737-0153	1		Return Elbow
7	918-0481A	1	/P	Control Valve
8	936-0119	1	/P	Lock Washer, 5/16
9	710-1806	1	/P	Hex Cap Screw 1/2-13 x 3.25
10	719-0550A	1	/P	Wedge Assembly
11	737-0238	1		Nipple Pipe 1/2-14
12	912-0239	1	/P	Lock Nut 1/2-20
13	712-0711	1	/P	Hex Jam Nut 3/8-24
14	710-0459A	1	/P	Hex Cap Screw 3/8-24 x 1.5
15	781-0351	1	/P	Adjustable Gib
16	710-1260A	1	/P	Screw 5/16-18 x.75
17	781-1054-0637	1	/P	Cylinder Support Bracket
18	681-0162-0637	1	S	Beam Assembly
19	936-0300	1	/P	Flat Washer.406 ID x.875 OD
20	710-0654A	1	/P	Hex Washer Screw 3/8-16 x 1.0
21	781-1048A-0637	1	/P	Dislodger
22	781-0790-0637	1	/P	Back Plate
23	936-0921	1	/P	Lock Washer 1/2
24	737-0312	1		Adapter 3/4-14
25	727-0443	1		Return Hose 3/4" ID x 44"
26	726-0132	1	/P	Hose Clamp 5/8"
27	737-0316	1	/P	Filter Housing
28	710-0874	1	/P	Hex Screw, 5/16-18 x 1.25
29	710-0376	1	/P	Hex Screw , 5/16-18 x 1.0
30	712-04063	1	/P	Hex Flange Nut, Nylon, 5/16-18
31	936-0351	1	/P	Flat Washer.760 ID x.500 OD
32	710-3056	1		Hex Bolt 5/16-18 x 3.25"
33	723-0405	1	/P	Oil Filter
35	781-1024-0637	1	/P	Mounting Bracket, Fender
36	710-1238	1	/P	Hex Screw, 5/16-18 x .875
37	711-1587	1		Clevis Pin
38	936-0116	1	/P	Flat Washer.635 ID x.93 OD
39	914-0470	1	/P	Cotter Pin
40	731-2496A	1		Fender, Black
41	710-3097	1		Carriage Bolt 3/8-16 x 1.0
42	712-04065	1	/P	Hex Nut 3/8-16
43	753-05424	1	/P	Log Tray
44	753-05423	1	/P	Log Tray Bracket
45	681-04040A	1	S	Frame Assembly
46	726-0214	1	/P	Push Cap
47	732-0583	1		Compression Spring
48	710-3130	1	/P	Hex Bolt 3/8-16 x 3.25"
49	781-0690			

24AF570L790 27-Ton (2005)
General Assembly

Page 3 of 7

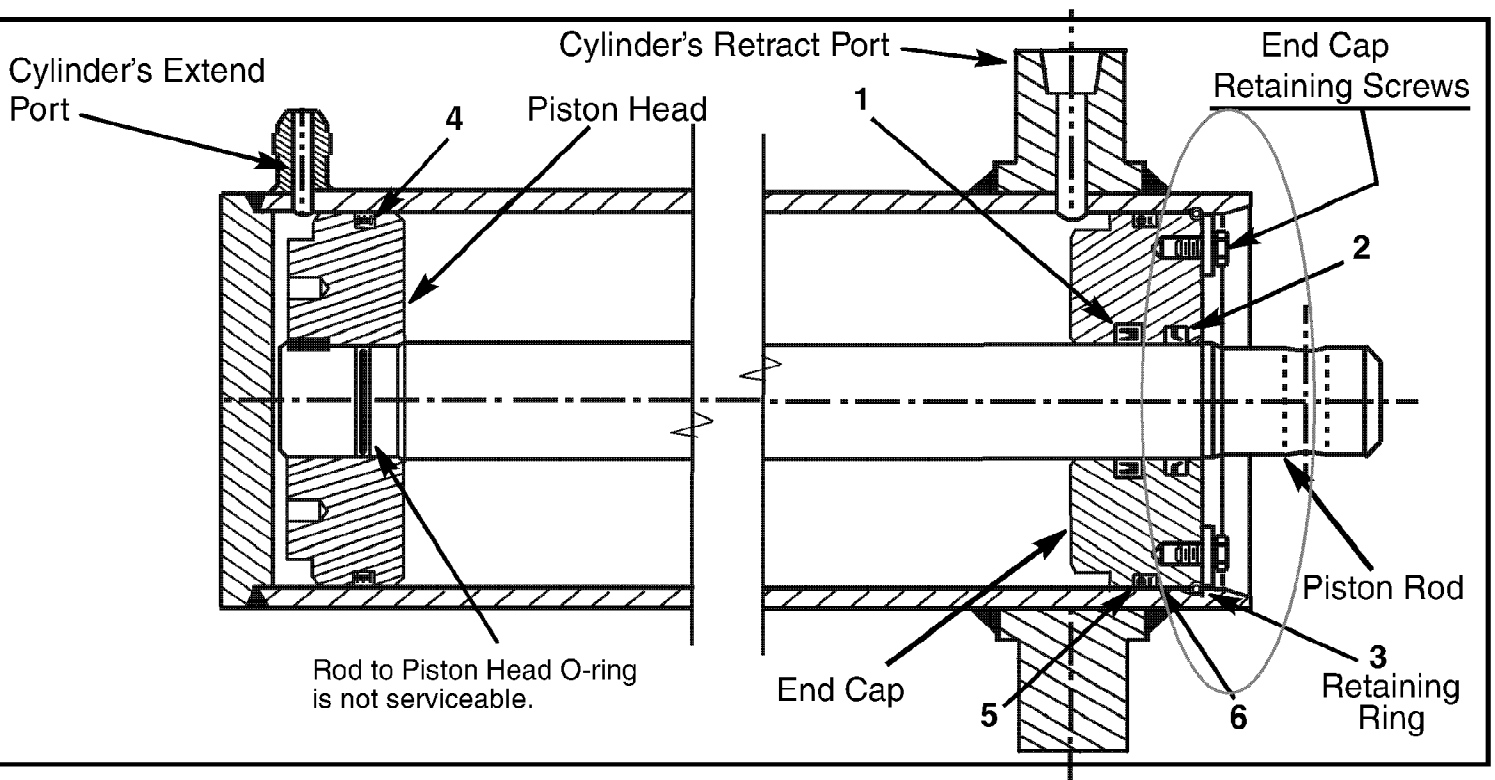
Ref #	Part Number	Qty	S/P/F	Description
50	737-0348A	1	/P	Vented Dipstick
51	710-1338	1	/P	Hex Screw 5/16-24 x 3.25
53	634-0186	1	/P	Wheel Assembly
53	941-0987	1	/P	Cone Bearing
53	921-0168	1	/P	Grease Retainer
54	712-0359	1	/P	Slotted Nut 3/4-16
55	714-0162	1	/P	Cotter Pin
56	734-0873	1		Hub Cap
57	719-0353	1		Coupling Shield
58	914-0122	1	/P	Square Key 3/16" x.75
59	918-04145	1	/P	Flexible Coupling
60	747-04093A	1		Inlet Filter
61	781-0789-0650	1		Jack Stand
62	781-0097-0637	1	/P	Rear Coupling Support Bracket
63	727-04130	1	/P	Hose
64	918-04127	1	/P	Gear Pump
65	737-0329	1		45° Elbow
66	727-0502	1		High Pressure Hydraulic Hose
67	781-0788-0650	1		Tongue Tube Assembly
68	747-1261	1		Tongue Latch Rod
69	781-1045-0650	1		Latch
70	915-0120	1	/P	Spiral Pin
71	932-3127	1	/P	Compression Spring
72	936-0169	1	/P	L-Washer 3/8"
73	712-3022	1	/P	Hex Lock Nut 1/2-13
74	710-0944	1	/P	Hex Cap Screw 3/8-16 x 4.25
75	736-0262	1	/P	Flat Washer.385 ID x.870 OD
76	713-0433A	1	/P	Chain
77	750-0497	1		Spacer.375 ID x.625 OD
78	681-04030	1		Hitch Coupler
79	712-0375	1	/P	Hex Lock Nut 3/8-16
80	911-0813	1	/P	Clevis Pin
81	936-0185	1	/P	Flat Washer.375 ID x.738 OD
82	732-0194	1		Spring Pin
83	710-3038	1	/P	Hex Screw, 5/16-18 x .875
84	912-3010	1	/P	Hex Nut, 5/16-18
85	625-0062	1		Taillight
85	725-2058	1		Tail Light - RH Not Shown
85	725-2059	1		Tail Light - LH Not Shown
85	725-2060	1		Harness - Wire Not Shown
86	681-0164-0637	1	/P	Light Bracket, LH
87	781-1027-0637	1	/P	Light Bracket, RH
88	781-0526A	1		Hose Guard
89	781-0538A	1	/P	Hose Guard



24AF570L790 27-Ton (2005)
Service Kit 753-05607

Page 5 of 7

Ref #	Part Number	Qty	S/P/F	Description
1	N/A	1		Piston Seal: 2 piece set (White outer ring w/ black flat under ring) Not Available Separately
2	N/A	1		O-ring (Large, Black) Not Available Separately
3	N/A	1		Backup Ring (Black) Not Available Separately
4	N/A	1		Rod-Guide U-Cup (Dark Blue) Not Available Separately
5	N/A	1		Scraper: Rod (Black) Not Available Separately
6	N/A	1		O-ring (Small, Black) NOT USED Not Available Separately
7	N/A	1		INSTRUCTION SHEET Not Available Separately



24AF570L790 27-Ton (2005)
Service Kit 753-05608

Page 7 of 7

Ref #	Part Number	Qty	S/P/F	Description
1	N/A	1		Zurcon U-Cup RU3 (Blue) Not Available Separately
2	N/A	1		Scraper DA17 (Black) Not Available Separately
3	N/A	1		Retaining-Ring (Metal) Not Available Separately
4	N/A	1		Zurcon Wynseal (Blue) Not Available Separately
5	N/A	1		O-Ring (Black) Not Available Separately
6	N/A	1		Back-up Ring (White) Not Available Separately
7	N/A	1		INSTRUCTION SHEET Not Available Separately